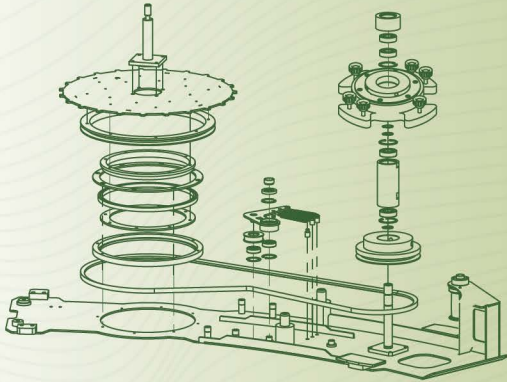


Spider Rebuild Program



A Spider rebuild should be completed every six months to a year, depending on usage and wear in production.

How does the program work?

1. You purchase a second Spider at a discounted rate.
2. You ship us your original Spider within 12 months of purchase.
3. We inspect all Spider components for wear or damage and replace them if necessary.
4. We lubricate all internal gearing and bearing surfaces.
5. We ship your Spider back to you 15 days after we receive it.



Shipping costs are customer responsibility. If Spider is not received within 12 months of spare Spider purchase, full price will be charged to customer.

Call or email for a quote today!

Aftermarket Parts

(864) 213-4392

Parts@Hartness.com

AFTERMARKET

Minimize Machine Downtime

Increase Durability

Specially Designed Crates

With your purchase of the Spider rebuild program, you will receive a specially designed shipping crate to ship and store your Spider.

Warranty

A rebuilt Spider undergoes thorough inspection, repair, and testing to ensure it meets our quality standards, and has the same warranty as a new Spider.

Changes, upgrades, and updates are not included in the Spider Rebuild Program.

Scan to view more program details.



Aftermarket Parts

(864) 213-4392

Parts@Hartness.com

TW HARTNESS